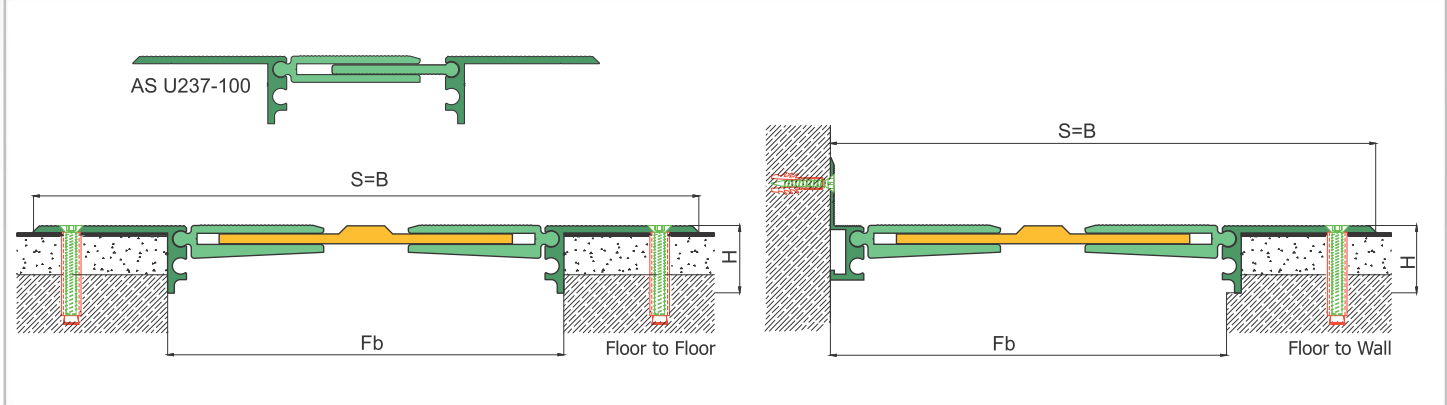
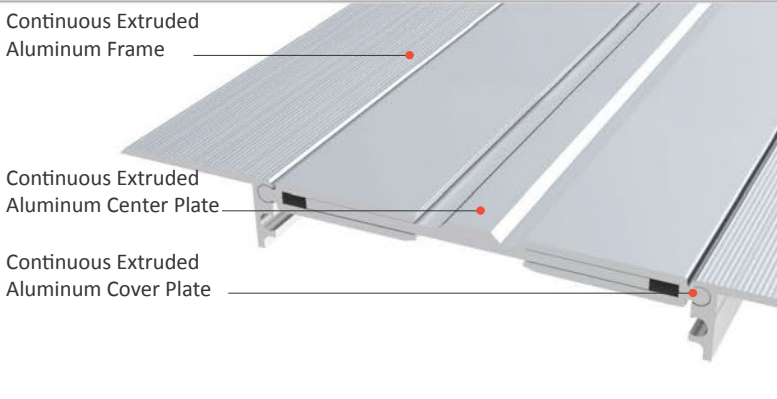




AS U237 surface mounted floor profiles are applicable to all types of floors and load bearing capacity is designed for heavy vehicles or cars depending on the gap inquired. Pure metal structure characterizes AS U237 as a hardwearing & maintenance free profile and makes it ideal for the places with heavy pedestrian traffic. Striated surface finish ensures antislip and round-headed articulated design enables the profile to meet displacements in 3 directions. Profiles are delivered factory-assembled and for some gaps soft EPDM tape is placed on the center plate to align the distance between the side frames. For flush mounted applications AS A227 model is available.

- Application Areas** : Indoor & Outdoor / Floor
- Ideal for** : Factories, Warehouses, Car Parks, Airports, Shopping Malls, Hospitals, Commercial & Public Buildings etc.
- Material** : Mill Finish Aluminum (Anodizing optional), Soft EPDM tape
- Aluminum Alloy** : 6063 AA-USA / EN AW 6063
- Optional Supplies** : Fire Barrier, Waterproof EPDM membrane

FLOOR

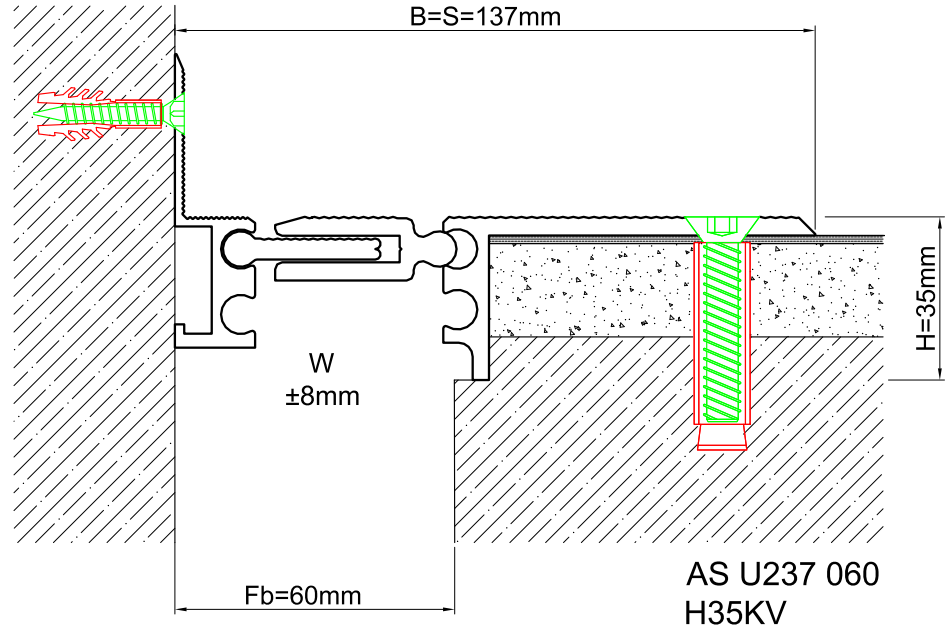
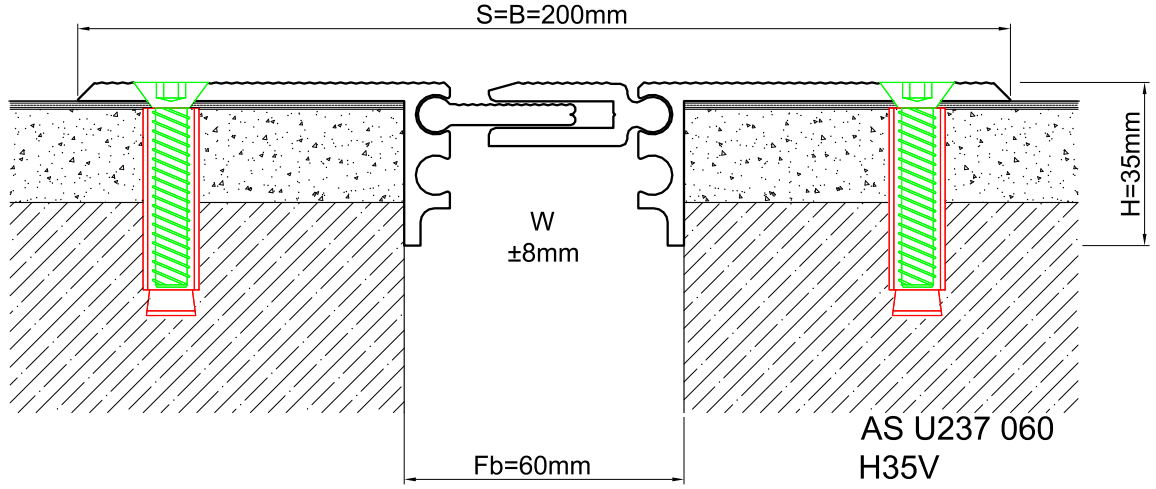



* Visuals are representative and the profile configuration may differ depending on the characteristics requested.

| LOCATION | MODEL | GAP (Fb) mm | HEIGHT (H) MM | OVERALL WIDTH (B) mm | VISIBLE WIDTH (S) mm | MOVEMENT (W) mm | LOAD CAPACITY | STANDARD LENGTH (mt) |
|----------------|-------------|-------------|---------------|----------------------|----------------------|-----------------|---------------|----------------------|
| Floor to Floor | AS U237-060 | 60 | 35 | 200 | 200 | ± 8 | 35 kN 300 kN | 3 |
| | AS U237-080 | 80 | 35 | 220 | 220 | ± 4 | 25 kN 120 kN | 3 |
| | AS U237-100 | 100 | 35 | 240 | 240 | ± 10 | | 3 |
| | AS U237-120 | 120 | 35 | 260 | 260 | ± 18 | | 3 |
| | AS U237-150 | 150 | 35 | 290 | 290 | ± 20 | | 3 |
| | AS U237-180 | 180 | 35 | 320 | 320 | ± 20 | | 3 |
| | AS U237-200 | 200 | 35 | 340 | 340 | ± 20 | | 3 |

Note: Please ask for different sizes





| Profil No Profile Number | AS U237 060 | AS U237 060K |
|---|--|---|
| Fb (mm) | 60 | 60 |
| H (mm) yaklaşık approx. | 35 | 35 |
| W± (mm) yaklaşık approx. | ±8 | ±8 |
| Renk Color | Alüminyum: Natürel Aluminum: Natural | |
| Malzeme Material | Alüminyum Aluminum | |
| Standart Uzunluk Standard Length | 3 | |
| Yükleme Kapasitesi Load-Bearing Capacity | 35kN  | 300 kN  |